

YAK 318/S

AIR HYDRAULIC JACKS

AIR HYDRAULIC JACKS

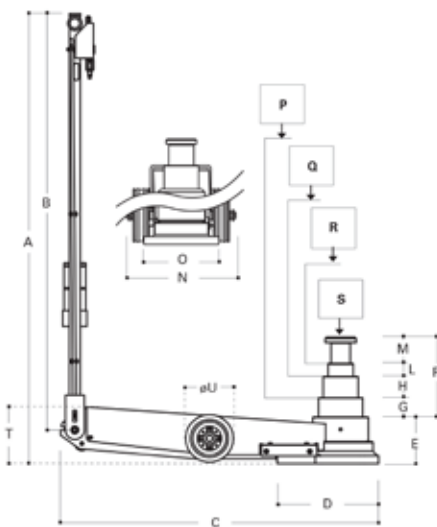
Air hydraulic jacks designed for heavy vehicles. Yak jacks are practical, reliable and easy to use. Fitted with air powered ascent and descent, Yak jacks are equipped with two descent valves to guarantee perfect holding in all situations and controlled speed under load. Ideal for workshops, mobile workshops, tyre repairers and bodywork shops. All YAK jacks come with extensions as standard.

TECHNICAL DATA

	318/S
Capacity	80-50-25 t / 88-55-28 ton
Net weight	80 kg / 180 lb
Working air pressure	8-10 bar / 116-145 psi
Air consumption	600 nl / min

DIMENSIONS

	318/S	
	mm / t	in / ton
A	1456	57.32
B	1311	51.61
C	997	39.25
D	320	12.60
E	182	7.17
F	295	11.61
G	64	2.52
H	71	2.80
L	82	3.22
M	-	-
N	217	8.54
O	240	9.45
P	80	88
Q	50	55
R	25	28
S	-	-
T	230	9.06
U	170	6.69





YAK 318/S

AIR HYDRAULIC JACKS

